

DZ6705 Explosion Proof Junction Enclosures

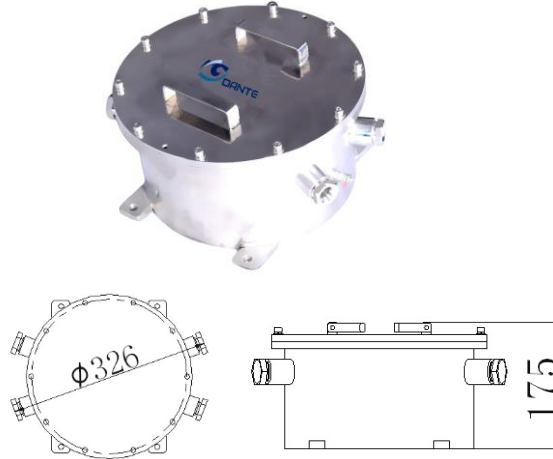


DESCRIPTION

DZ6705 are Explosion proof, Junction enclosures that are employed to house electrical devices and accessories. Feature SS304 or SS316L materials construction and IP66 or IP68 rating. Four models, with specific cable entry glands are available. The DZ6705 Series Explosion-Proof enclosures are designed to meet industrial and environmental video surveillance installations.

SPECIFICATIONS

Certificate Mark	Exd IIC T6 GB/DIP A20 TA, T6
Mechanical	
Housing	Stainless steel 304 or 316L
Protection	IP68
Cable Glands/thread hole	4pcs G3/4 or NPT3/4
Ambient	
Ambient temperature	-25 to +60°C
Relative Humidity	≤95% (non condensing)
General	
External Dimensions	Φ326 x 175mm
Internal Dimensions	Φ233 x 128(H) mm
Weight	14.7kg

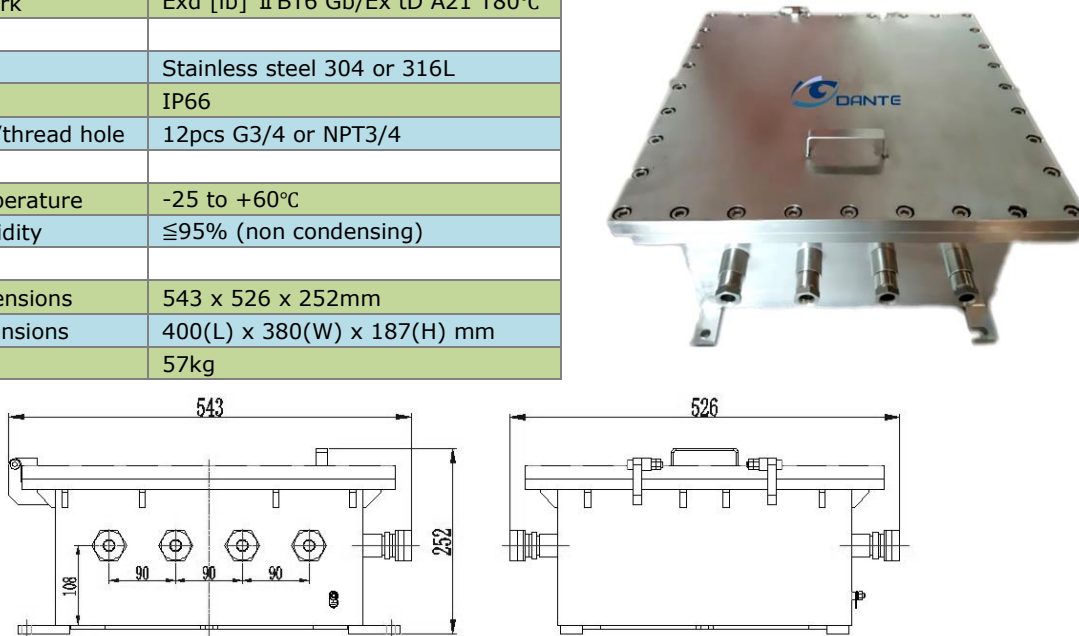


ORDERING INFORMATION

- DZ6705-4326 Explosion Proof Junction Enclosure, 4 entry glands, SS304, IP68
- DZ6705-5326 Explosion Proof Junction Enclosure, 4 entry glands, SS316L, IP68

SPECIFICATIONS

Certificate Mark	Exd [ib] II BT6 Gb/Ex tD A21 T80°C
Mechanical	
Housing	Stainless steel 304 or 316L
Protection	IP66
Cable Glands/thread hole	12pcs G3/4 or NPT3/4
Ambient	
Ambient temperature	-25 to +60°C
Relative Humidity	≤95% (non condensing)
General	
External Dimensions	543 x 526 x 252mm
Internal Dimensions	400(L) x 380(W) x 187(H) mm
Weight	57kg



ORDERING INFORMATION

- DZ6705-4543 Explosion Proof Junction Enclosure, 12 entry glands, SS304, IP66
- DZ6705-5543 Explosion Proof Junction Enclosure, 12 entry glands, SS316L, IP66

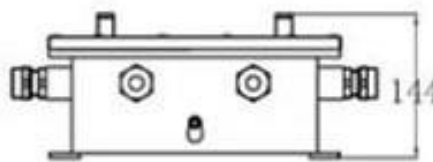
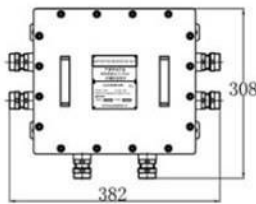


DZ6705 Explosion Proof Junction Enclosures



SPECIFICATIONS

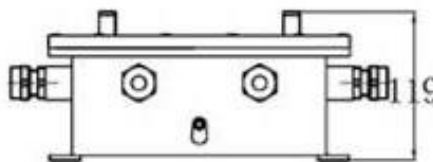
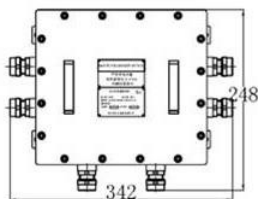
Certificate Mark	Exd II B(+H ₂)T6 GB/DIP A20 TA, T6
Mechanical	
Housing	Stainless steel 304 or 316L
Protection	IP66
Cable Glands/thread hole	6pcs G3/4 or NPT3/4
Ambient	
Ambient temperature	-25 to +60°C
Relative Humidity	≤95% (non-condensing)
General	
External Dimensions	382 x 308 x 144mm
Internal Dimensions	240(L) x 210(W) x 100(H) mm
Weight	14kg



ORDERING INFORMATION

- DZ6705-4382 Explosion Proof Junction Enclosure, 6 entry glands, SS304, IP68
- DZ6705-5382 Explosion Proof Junction Enclosure, 6 entry glands, SS316L, IP68

Certificate Mark	Exd II B(+H ₂)T6 GB/DIP A20 TA, T6
Mechanical	
Housing	Stainless steel 304 or 316L
Protection	IP66
Cable Glands/thread hole	6pcs G3/4 or NPT3/4
Ambient	
Ambient temperature	-25 to +60°C
Relative Humidity	≤95% (non-condensing)
General	
Overall size	342 x 248 x 119mm
Inner Size	220(L) x 160(W) x 76(H) mm
Weight	14kg



ORDERING INFORMATION

- DZ6705-4342 Explosion Proof Junction Enclosure, 6 entry glands, SS304, IP68
- DZ6705-5342 Explosion Proof Junction Enclosure, 6 entry glands, SS316L, IP68



www.dantesecurity.net

Lynbrook, NY USA

sales@dantesecurity.net